

FYH[®]

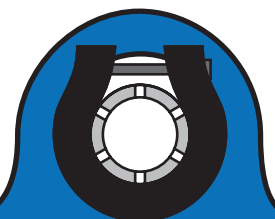
NU-LOC[®]

NU Concentric-LOC BALL BEARING UNITS



***EASY INSTALLATION
360° SHAFT CONTACT
TRUE CONCENTRIC LOCK***

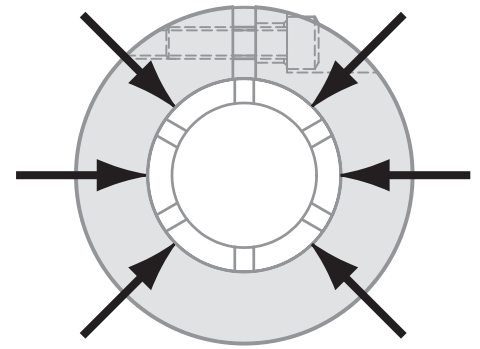
CATALOG NO.3400



fyhbearings.com

Uniform LOC

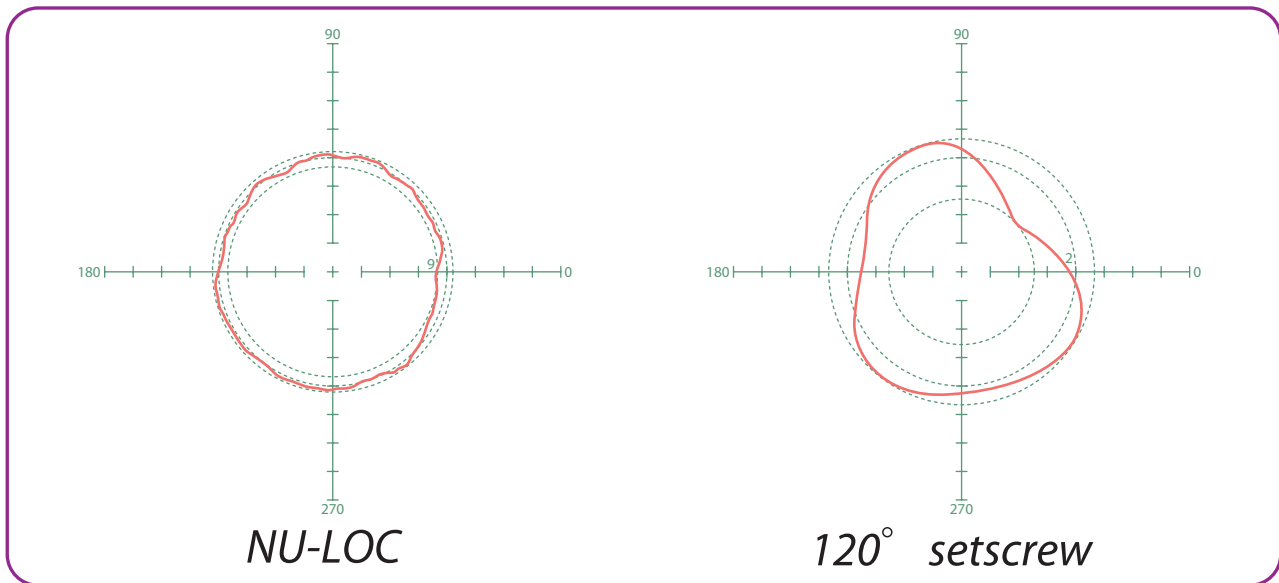
The FYH NU-LOC bearing grips the shaft more uniformly, which allows 360 degrees of equalized locking contact. The roundness of the ball path on NU-LOC bearings results in better operation and longer life. NU-LOC concentric locking collars are designed to prevent shaft marring and burring. A single standard hex head cap screw can be tightened quickly and easily. NU-LOC bearings can replace either setscrew or eccentric locking collar inserts.



360° LOCKING

NU-LOC concentric locking collar with a single cap screw provides great holding power. The collar is installed over the slotted inner ring on the shaft concentrically.

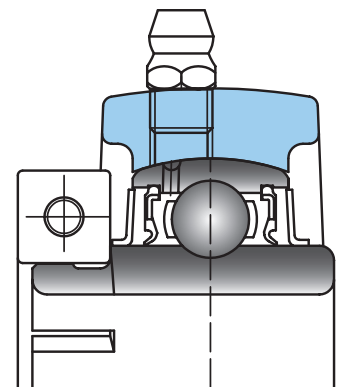
Ballpath Roundness



Quick & Easy Installation with a single hex cap screw.



Cross-Section Detail



Nomenclature

Available in standard duty housings (204 to 212)
Bore sizes (3/4" to 2-7/16" & 20 mm to 60 mm)

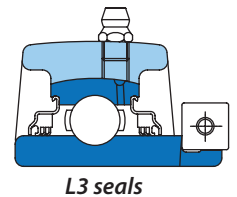
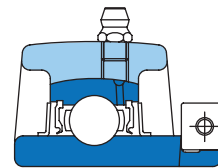
NU P 205-16 J K3 C2

Bearing Internal Clearance Code:

No code: Standard clearance
C2: Smaller clearance

Seal Code:

No code: Standard contact (B type)
K3: Non-contact
K2: Silicon
L3: Triple lip



Housing Fitting Code:

J: Standard fit
H: Loose fit
K: Tight fit

Bore Dia Code:

05: $5 \times 5 = 25\text{mm}$

(Bore Dia Code) $\times 5 =$ Bearing Bore dia.(mm)

-16: $16/16 = 1\text{ inch}$

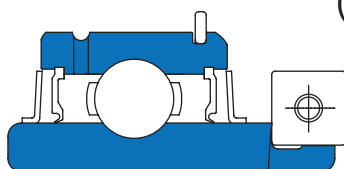
(-Bore Dia Code) $/ 16 =$ Bearing bore dia.(inch)

Housing Code:

P: Pillow block
F: 4 Bolt flange
FL: 2 Bolt flange
FA: Adjustable oval two-bolt flange
FB: Three-bolt flange
FC: Round flange cartridge
T: Take-up
(Additional housings available)

Bearing Code:

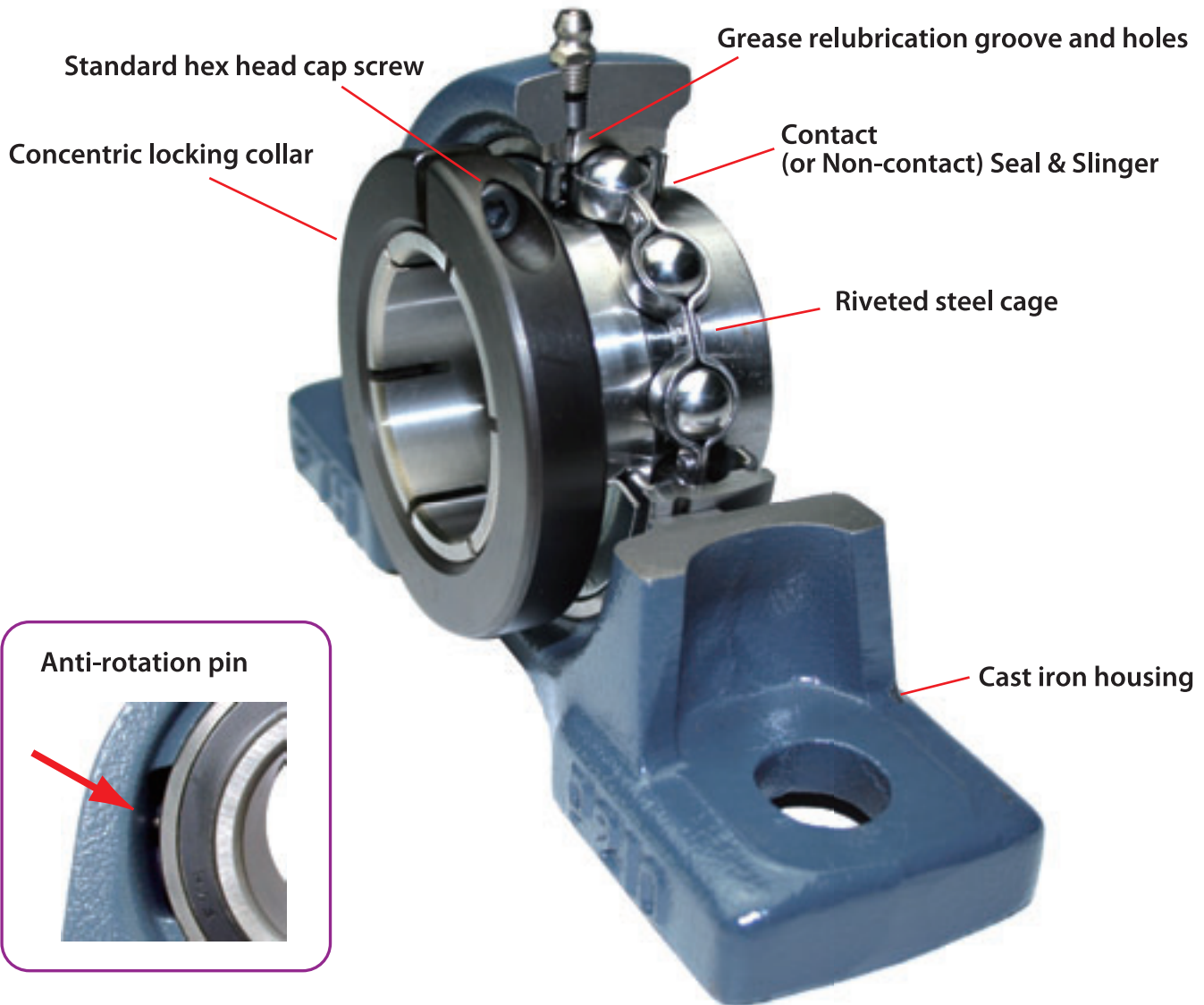
NU: NU-Loc inserts
ERU: Cylindrical outer ring with snap ring
(Free-spin also available)



ERU Series

NOLOC

Structure



FYH BEARING UNITS USA INC.

TEL: 847-487-9111

FAX: 847-487-9222

E-mail: sales@fyhusa.com

NÖLOC