

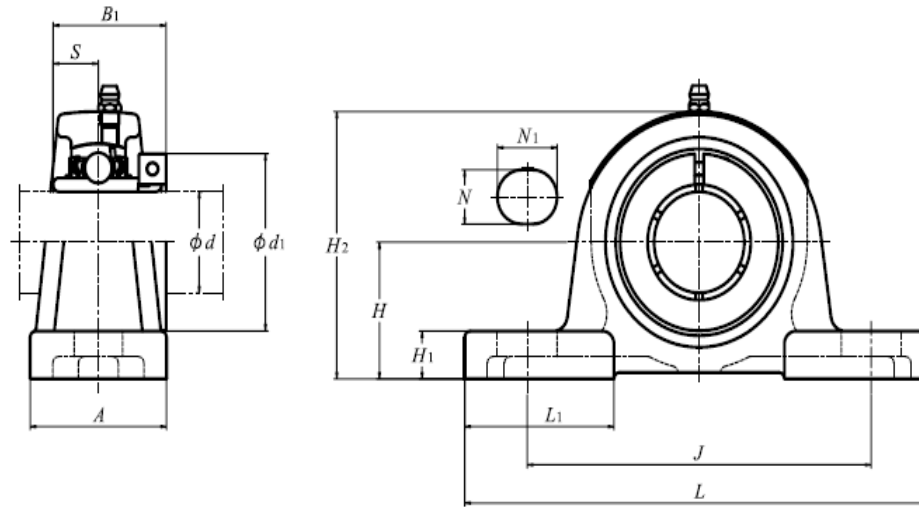


Pillow type units uni-loc

NUP

Cylindrical bore(uniform-loc)

d 3/4~2 7/16



Shaft Dia mm inch	Dimensions inch mm												Bolt Size inch mm	Unit No.	Housing No.	Bearing No.	Basic Load Ratings kN		Factor fo	Mass kg	
	d	H	L	A	J	N	N <sub>1</sub>	H <sub>1</sub>	H <sub>2</sub>	L <sub>1</sub>	B <sub>1</sub>	S					d <sub>1</sub>	Cr			Cor
20	3/4	1 5/16 33.3	5 127	1 1/2 38	3 3/4 95	1/2 13	23/32 18	1/2 13	2 17/32 64	1 1/2 38	1 9/32 32.5	0.500 12.7	1 3/4 44.5	3/8 M10	NUP204-12 NUP204	P204	NU204-12 NU204	12.8	6.65	13.2	0.8
	7/8 15/16	1 7/16 36.5	5 1/2 140	1 1/2 38	4 1/8 105	1/2 13	23/32 18	1/2 13	2 25/32 71	1 11/16 43	1 7/16 36.5	0.563 14.3	1 15/16 49.2	3/8 M10	NUP205-14 NUP205-15 NUP205 NUP205-16	P205	NU205-14 NU205-15 NU205 NU205-16	14.0	7.85	13.9	1
25	1	1 11/16 42.9	6 1/2 165	1 7/8 48	4 3/4 121	21/32 17	13/16 21	19/32 15	3 5/16 84	2 3/32 53	1 9/16 39.7	0.626 15.9	2 3/16 55.6	1/2 M14	NUP206-18 NUP206 NUP206-19 NUP206-20	P206	NU206-18 NU206 NU206-19 NU206-20	19.5	11.3	13.9	1.5
	1 1/8	1 7/8 47.6	6 9/16 167	1 7/8 48	5 127	21/32 17	13/16 21	5/8 16	3 21/32 93	2 51	1 3/4 44.5	0.689 17.5	2 7/16 61.9	1/2 M14	NUP207-20 NUP207-22 NUP207 NUP207-23	P207	NU207-20 NU207-22 NU207 NU207-23	25.7	15.4	13.9	1.9
30	1 1/4	1 15/16 49.2	7 1/4 184	2 1/8 54	5 13/32 137	21/32 17	13/16 21	21/32 17	3 27/32 98	2 1/4 57	2 50.8	0.748 19	2 11/16 68.3	1/2 M14	NUP208-24 NUP208	P208	NU208-24 NU208	29.1	17.8	14.0	2.4
	1 3/8	2 1/8 54	7 15/32 190	2 1/8 54	5 3/4 146	21/32 17	13/16 21	21/32 17	4 3/16 106	2 3/8 60	2 50.8	0.748 19	2 13/16 71.4	1/2 M14	NUP209-26 NUP209-27 NUP209-28 NUP209	P209	NU209-26 NU209-27 NU209-28 NU209	34.1	21.3	14.0	2.6
35	1 7/16	2 1/4 57.2	8 1/8 206	2 3/8 60	6 1/4 159	25/32 20	7/8 22	3/4 19	4 7/16 113	2 15/32 63	2 3/32 53.1	0.748 19	3 3/8 85.7	5/8 M16	NUP210-31 NUP210 NUP210-32	P210	NU210-31 NU210 NU210-32	35.1	23.3	14.4	3.5
	1 1/2	2 1/2 63.5	8 5/8 219	2 3/8 60	6 23/32 171	25/32 20	7/8 22	3/4 19	4 29/32 125	2 3/4 70	2 1/4 57.1	0.874 22.2	3 1/2 88.9	5/8 M16	NUP211-32 NUP211 NUP211-35	P211	NU211-32 NU211 NU211-35	43.4	29.4	14.4	4
40	1 5/8	2 3/4 69.8	9 1/2 241	2 3/4 70	7 1/4 184	25/32 20	31/32 25	7/8 22	5 7/16 138	3 76	2 5/8 66.7	1.000 25.4	4 1/16 103.2	5/8 M16	NUP212-36 NUP212	P212	NU212-36 NU212	52.4	36.2	14.4	5.6
	1 3/4	2 15/16 74.6											2 15/16 74.6		NUP209-29		NU209-29				
45	1 7/8	2 3/4 69.8	9 1/2 241	2 3/4 70	7 1/4 184	25/32 20	31/32 25	7/8 22	5 7/16 138	3 76	2 5/8 66.7	1.000 25.4	4 1/16 103.2	5/8 M16	NUP212-36 NUP212	P212	NU212-36 NU212	52.4	36.2	14.4	5.6
	1 3/4	2 15/16 74.6											2 15/16 74.6		NUP209-29		NU209-29				
50	1 15/16	2 1/4 57.2	8 1/8 206	2 3/8 60	6 1/4 159	25/32 20	7/8 22	3/4 19	4 7/16 113	2 15/32 63	2 3/32 53.1	0.748 19	3 3/8 85.7	5/8 M16	NUP210-31 NUP210 NUP210-32	P210	NU210-31 NU210 NU210-32	35.1	23.3	14.4	3.5
	2	2 1/2 63.5	8 5/8 219	2 3/8 60	6 23/32 171	25/32 20	7/8 22	3/4 19	4 29/32 125	2 3/4 70	2 1/4 57.1	0.874 22.2	3 1/2 88.9	5/8 M16	NUP211-32 NUP211 NUP211-35	P211	NU211-32 NU211 NU211-35	43.4	29.4	14.4	4
55	2	2 1/2 63.5	8 5/8 219	2 3/8 60	6 23/32 171	25/32 20	7/8 22	3/4 19	4 29/32 125	2 3/4 70	2 1/4 57.1	0.874 22.2	3 1/2 88.9	5/8 M16	NUP211-32 NUP211 NUP211-35	P211	NU211-32 NU211 NU211-35	43.4	29.4	14.4	4
	2 3/16	2 3/4 69.8	9 1/2 241	2 3/4 70	7 1/4 184	25/32 20	31/32 25	7/8 22	5 7/16 138	3 76	2 5/8 66.7	1.000 25.4	4 1/16 103.2	5/8 M16	NUP212-36 NUP212	P212	NU212-36 NU212	52.4	36.2	14.4	5.6
60	2 1/4	2 15/16 74.6											2 15/16 74.6		NUP209-29		NU209-29				
	2 7/16	2 3/4 69.8	9 1/2 241	2 3/4 70	7 1/4 184	25/32 20	31/32 25	7/8 22	5 7/16 138	3 76	2 5/8 66.7	1.000 25.4	4 1/16 103.2	5/8 M16	NUP212-36 NUP212	P212	NU212-36 NU212	52.4	36.2	14.4	5.6

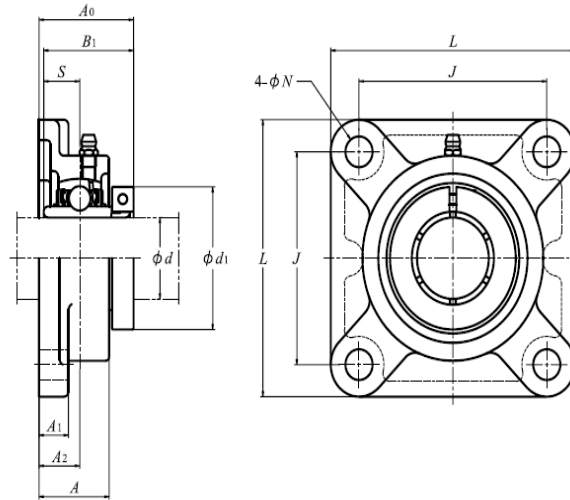


## Square four-bolt flange type units

NUF

Cylindrical bore(uniform-loc)

$d$  3/4~2 7/16



Shaft Dia mm inch	Dimensions inch mm											Bolt Size inch mm	Unit No.	Housing No.	Bearing No.	Basic Load Ratings kN		Factor		Mass kg
	$d$	$L$	$A$	$J$	$N$	$A_1$	$A_2$	$A_0$	$B_1$	$S$	$d_1$					$C$	$C_{0r}$	$f_0$		
20	3/4	3 3/8 86	1 25.5	2 33/64 64	15/32 12	7/16 11	19/32 15	1 3/8 34.8	1 9/32 32.5	0.500 12.7	1 3/4 44.5	3/8 M10	NUF204-12 NUF204	F204	NU204-12 NU204	12.8	6.65	13.2	0.73	
	25	7/8 15/16	3 3/4 95	1 1/16 27	2 3/4 70	15/32 12	1/2 13	5/8 16	1 1/2 38.2	1 7/16 36.5	0.563 14.3	1 15/16 49.2	3/8 M10	NUF205-14 NUF205-15 NUF205 NUF205-16	F205	NU205-14 NU205-15 NU205 NU205-16	14.0	7.85	13.9	1.0
30		1 1/8 1 3/16 1 1/4	4 1/4 108	1 7/32 31	3 17/64 83	15/32 12	1/2 13	45/64 18	1 21/32 41.8	1 9/16 39.7	0.626 15.9	2 3/16 55.6	3/8 M10	NUF206-18 NUF206 NUF206-19 NUF206-20	F206	NU206-18 NU206 NU206-19 NU206-20	19.5	11.3	13.9	1.3
	35	1 1/4	4 19/32 117	1 11/32 34	3 5/8 92	35/64 14	19/32 15	3/4 19	1 13/16 46	1 3/4 44.5	0.689 17.5	2 7/16 61.9	7/16 M12	NUF207-20	F207	NU207-20	25.7	15.4	13.9	1.8
1 3/8										2 9/16 65.1	NUF207-22 NUF207 NUF207-23	NU207-22 NU207 NU207-23								
1 7/16																				
40	1 1/2	5 1/8 130	1 13/32 36	4 1/64 102	5/8 16	19/32 15	53/64 21	2 3/32 52.8	2 50.8	0.748 19	2 11/16 68.3	1/2 M14	NUF208-24 NUF208	F208	NU208-24 NU208	29.1	17.8	14.0	2.3	
	45	1 5/8 1 11/16 1 3/4	5 13/32 137	1 1/2 38	4 9/64 105	5/8 16	5/8 16	55/64 22	2 1/8 53.8	2 50.8	0.748 19	2 13/16 71.4	1/2 M14	NUF209-26	F209	NU209-26	34.1	21.3	14.0	2.6
											2 15/16 74.6	NUF209-27 NUF209-28 NUF209		NU209-27 NU209-28 NU209						
50	1 15/16 2	5 5/8 143	1 9/16 40	4 3/8 111	5/8 16	5/8 16	55/64 22	2 7/32 56.1	2 3/32 53.1	0.748 19	3 3/8 85.7	1/2 M14	NUF210-31 NUF210 NUF210-32	F210	NU210-31 NU210 NU210-32	35.1	23.3	14.4	3.1	
	55	2 2 3/16	6 3/8 162	1 11/16 43	5 1/8 130	3/4 19	23/32 18	63/64 25	2 11/32 59.9	2 1/4 57.1	0.874 22.2	3 1/2 88.9	5/8 M16	NUF211-32	F211	NU211-32	43.4	29.4	14.4	3.8
											3 5/8 92.1	NUF211 NUF211-35		NU211 NU211-35						
60	2 1/4 2 7/16	6 7/8 175	1 7/8 48	5 5/8 143	3/4 19	23/32 18	1 9/64 29	2 25/32 70.3	2 5/8 66.7	1.000 25.4	4 1/16 103.2	5/8 M16	NUF212-36	F212	NU212-36	52.4	36.2	14.4	4.86	
											4 1/8 104.8		NUF212 NUF212-39		NU212 NU212-39					

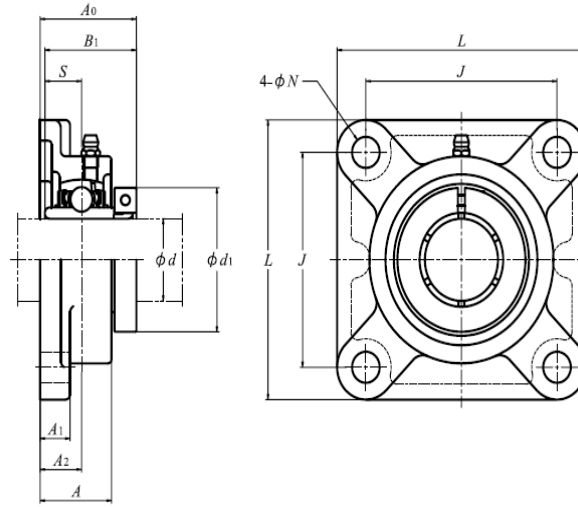


### Square four-bolt flange type units

NUF-E

Cylindrical bore(uniform-loc)

$d$  3/4~2 7/16



Shaft Dia mm	inch	Dimensions inch										Bolt Size inch	Unit No.	Housing No.	Bearing No.	Basic Load Ratings		Factor f0	Mass kg	
		$L$	$A$	$J$	$N$	$A_1$	$A_2$	$A_0$	$B_1$	$S$	$d_1$					$C_r$	$C_{0r}$			
$d$																				
20	3/4	3 3/8 86	1 25.5	2 33/64 64	7/16 11	7/16 11	19/32 15	1 3/8 34.8	1 9/32 32.5	0.500 12.7	1 3/4 44.5	3/8	NUF204-12E NUF204E	F204E	NU204-12 NU204	12.8	6.65	13.2	0.73	
	25	7/8 15/16	3 3/4 95	1 11/16 27	2 3/4 70	15/32 12	1/2 13	5/8 16	1 1/2 38.2	1 7/16 36.5	0.563 14.3	1 15/16 49.2	3/8 M10	NUF205-14 NUF205-15 NUF205 NUF205-16	F205	NU205-14 NU205-15 NU205 NU205-16	14.0	7.85	13.9	1.0
30		1 1/8 1 3/16 1 1/4	4 1/4 108	1 7/32 31	3 17/64 83	33/64 13	1/2 13	45/64 18	1 21/32 41.8	1 9/16 39.7	0.626 15.9	2 3/16 55.6	7/16	NUF206-18E NUF206E NUF206-19E NUF206-20E	F206E	NU206-18 NU206 NU206-19 NU206-20	19.5	11.3	13.9	1.3
	35	1 1/4 1 3/8 1 7/16	4 19/32 117	1 11/32 34	3 5/8 92	33/64 13	19/32 15	3/4 19	1 13/16 46	1 3/4 44.5	0.689 17.5	2 7/16 61.9 2 9/16 65.1	7/16	NUF207-20E NUF207-22E NUF207E NUF207-23E	F207E	NU207-20 NU207-22 NU207 NU207-23	25.7	15.4	13.9	1.8
40		1 1/2	5 1/8 130	1 13/32 36	4 1/64 102	35/64 14	19/32 15	53/64 21	2 3/32 52.8	2 50.8	0.748 19	2 11/16 68.3	1/2	NUF208-24E NUF208E	F208E	NU208-24 NU208	29.1	17.8	14.0	2.3
45		1 5/8 1 11/16 1 3/4	5 13/32 137	1 1/2 38	4 9/64 105	5/8 16	5/8 16	55/64 22	2 1/8 53.8	2 50.8	0.748 19	2 13/16 71.4 2 15/16 74.6	1/2 M14	NUF209-26 NUF209-27 NUF209-28 NUF209	F209	NU209-26 NU209-27 NU209-28 NU209	34.1	21.3	14.0	2.6
	50	1 15/16 2	5 5/8 143	1 9/16 40	4 3/8 111	5/8 16	5/8 16	55/64 22	2 7/32 56.1	2 3/32 53.1	0.748 19	3 3/8 85.7	1/2 M14	NUF210-31 NUF210 NUF210-32	F210	NU210-31 NU210 NU210-32	35.1	23.3	14.4	3.1
55	2 2 3/16	6 3/8 162	1 11/16 43	5 1/8 130	43/64 17	23/32 18	63/64 25	2 11/32 59.9	2 1/4 57.1	0.874 22.2	3 1/2 88.9 3 5/8 92.1	5/8	NUF211-32E NUF211E NUF211-35E	F211E	NU211-32 NU211 NU211-35	43.4	29.4	14.4	3.8	
	60	2 1/4 2 7/16	6 7/8 175	1 7/8 48	5 5/8 143	43/64 17	23/32 18	1 9/64 29	2 25/32 70.3	2 5/8 66.7	1.000 25.4	4 1/16 103.2 4 1/8 104.8	5/8	NUF212-36E NUF212E NUF212-39E	F212E	NU212-36 NU212 NU212-39	52.4	36.2	14.4	4.86

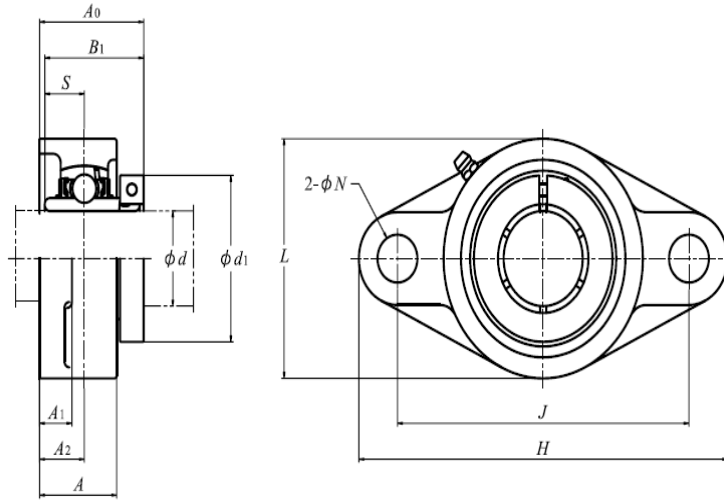


Oval tow-boit flange type units

NUFL

Cylindrical bore(uniform-loc)

$d$  3/4~2 7/16



Shaft Dia mm inch	Dimensions											Bolt Size inch mm	Unit No.	Housing No.	Bearing No.	Basic Load Ratings		Factor f0	Mass kg		
	$d$	$H$	$L$	$A$	$J$	$N$	$A_1$	$A_2$	$A_0$	$B_1$	$S$					$d_1$	kN				
																	$C_r$			$C_{0r}$	
20	3/4	4 7/16 113	2 3/8 60	1 25.5	3 35/64 90	15/32 12	7/16 11	19/32 15	1 3/8 34.8	1 9/32 32.5	0.500 12.7	1 3/4 44.5	3/8 M10	NUFL204-12 NUFL204	FL204	NU204-12 NU204	12.8	6.65	13.2	0.62	
	25	7/8 15/16 1	5 1/8 130	2 11/16 68	1 11/16 27	3 57/64 99	5/8 16	1/2 13	5/8 16	1 1/2 38.2	1 7/16 36.5	0.563 14.3	1 15/16 49.2	1/2 M14	NUFL205-14 NUFL205-15 NUFL205 NUFL205-16	FL205	NU205-14 NU205-15 NU205 NU205-16	14.0	7.85	13.9	0.84
30	1 1/8 1 3/16 1 1/4	5 13/16 148	3 5/32 80	1 7/32 31	4 39/64 117	5/8 16	1/2 13	45/64 18	1 21/32 41.8	1 9/16 39.7	0.626 15.9	2 3/16 55.6	1/2 M14	NUFL206-18 NUFL206 NUFL206-19 NUFL206-20	FL206	NU206-18 NU206 NU206-19 NU206-20	19.5	11.3	13.9	1.11	
	35	1 1/4 1 3/8 1 7/16	6 11/32 161	3 17/32 90	1 11/32 34	5 1/8 130	5/8 16	9/16 14	3/4 19	1 13/16 46	1 3/4 44.5	0.689 17.5	2 7/16 61.9 2 9/16 65.1	1/2 M14	NUFL207-20 NUFL207-22 NUFL207 NUFL207-23	FL207	NU207-20 NU207-22 NU207 NU207-23	3	15.4	13.9	1.5
40		1 1/2 1 5/8	6 7/8 175	3 15/16 100	1 13/32 36	5 43/64 144	5/8 16	9/16 14	53/64 21	2 3/32 52.8	2 50.8	0.748 19	2 11/16 68.3	1/2 M14	NUFL208-24 NUFL208	FL208	NU208-24 NU208	29.1	17.8	14.0	2.0
		45	1 5/8 1 11/16 1 3/4	7 13/32 188	4 1/4 108	1 1/2 38	5 53/64 148	3/4 19	19/32 15	55/64 22	2 1/8 53.8	2 50.8	0.748 19	2 13/16 71.4 2 15/16 74.6	5/8 M16	NUFL209-26 NUFL209-27 NUFL209-28 NUFL209	FL209	NU209-26 NU209-27 NU209-28 NU209	34.1	21.3	14.0
50	1 15/16 2		7 3/4 197	4 17/32 115	1 9/16 40	6 3/16 157	3/4 19	19/32 15	55/64 22	2 7/32 56.1	2 3/32 53.1	0.748 19	3 3/8 85.7	5/8 M16	NUFL210-31 NUFL210 NUFL210-32	FL210	NU210-31 NU210 NU210-32	35.1	23.3	14.4	2.8
	55	2 2 3/16	8 13/16 224	5 1/8 130	1 11/16 43	7 1/4 184	3/4 19	23/32 18	63/64 25	2 11/32 59.9	2 1/4 57.1	0.874 22.2	3 1/2 88.9 3 5/8 92.1	5/8 M16	NUFL211-32 NUFL211 NUFL211-35	FL211	NU211-32 NU211 NU211-35	43.4	29.4	14.4	3.7
60		2 1/4 2 7/16	9 27/32 250	5 1/2 140	1 7/8 48	7 61/64 202	29/32 23	23/32 18	1 9/64 29	2 25/32 70.3	2 5/8 66.7	1.000 25.4	4 1/16 103.2 4 1/8 104.8	3/4 M20	NUFL212-36 NUFL212 NUFL212-39	FL212	NU212-36 NU212 NU212-39	52.4	36.2	14.4	4.9

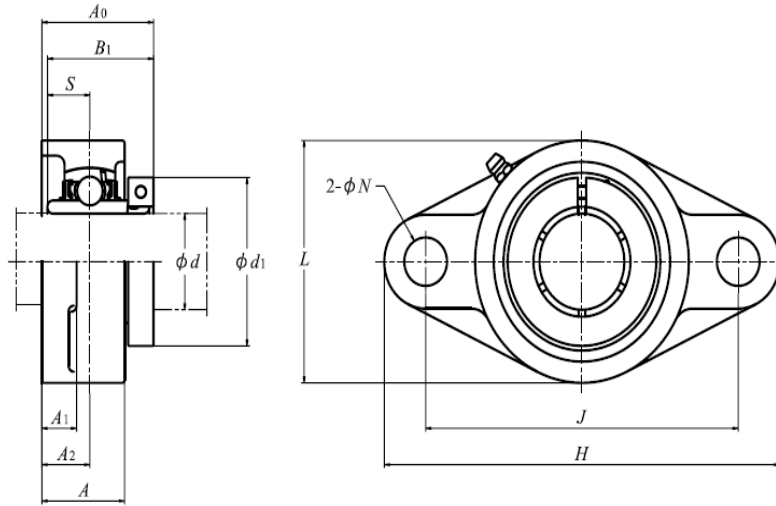


Oval tow-boit flange type units

NUFL-E

Cylindrical bore(uniform-loc)

d 3/4~2 7/16



Shaft Dia mm inch	Dimensions inch mm												Bolt Size inch	Unit No.	Housing No.	Bearing No.	Basic Load Ratings kN		Factor f0	Mass kg
	d	H	L	A	J	N	A <sub>1</sub>	A <sub>2</sub>	A <sub>0</sub>	B <sub>1</sub>	S	d <sub>1</sub>					C <sub>r</sub>	C <sub>0r</sub>		
20	3/4	4 7/16 113	2 3/8 60	1 25.5	3 17/32 89.7	25/64 10	7/16 11	19/32 15	1 3/8 34.8	1 9/32 32.5	0.500 12.7	1 3/4 44.5	5/16	NUFL204-12E NUFL204E	FL204E	NU204-12 NU204	12.8	6.65	13.2	0.62
25	7/8 15/16 1	5 1/8 130	2 11/16 68	1 1/16 27	3 57/64 98.8	15/32 12	1/2 13	5/8 16	1 1/2 38.2	1 7/16 36.5	0.563 14.3	1 15/16 49.2	3/8	NUFL205-14E NUFL205-15E NUFL205E NUFL205-16E	FL205E	NU205-14 NU205-15 NU205 NU205-16	14.0	7.85	13.9	0.84
30	1 1/8 1 3/16 1 1/4	5 13/16 148	3 5/32 80	1 7/32 31	4 19/32 116.7	15/32 12	1/2 13	45/64 18	1 21/32 41.8	1 9/16 39.7	0.626 15.9	2 3/16 55.6	3/8	NUFL206-18E NUFL206E NUFL206-19E NUFL206-20E	FL206E	NU206-18 NU206 NU206-19 NU206-20	19.5	11.3	13.9	1.11
35	1 1/4 1 3/8 1 7/16	6 11/32 161	3 17/32 90	1 11/32 34	5 1/8 130.2	33/64 13	9/16 14	3/4 19	1 13/16 46	1 3/4 44.5	0.689 17.5	2 7/16 61.9 2 9/16 65.1	7/16	NUFL207-20E NUFL207-22E NUFL207E NUFL207-23E	FL207E	NU207-20 NU207-22 NU207 NU207-23	3	15.4	13.9	1.5
40	1 1/2	6 7/8 175	3 15/16 100	1 13/32 36	5 21/32 143.7	33/64 13	9/16 14	53/64 21	2 3/32 52.8	2 50.8	0.748 19	2 11/16 68.3	7/16	NUFL208-24E NUFL208E	FL208E	NU208-24 NU208	29.1	17.8	14.0	2.0
45	1 5/8 1 11/16 1 3/4	7 13/32 188	4 1/4 108	1 1/2 38	5 27/32 148.4	19/32 15	19/32 15	55/64 22	2 1/8 53.8	2 50.8	0.748 19	2 13/16 71.4 2 15/16 74.6	1/2	NUFL209-26E NUFL209-27E NUFL209-28E NUFL209E	FL209E	NU209-26 NU209-27 NU209-28 NU209	34.1	21.3	14.0	2.3
50	1 15/16 2	7 3/4 197	4 17/32 115	1 9/16 40	6 3/16 157	19/32 15	19/32 15	55/64 22	2 7/32 56.1	2 3/32 53.1	0.748 19	3 3/8 85.7	1/2	NUFL210-31E NUFL210E NUFL210-32E	FL210E	NU210-31 NU210 NU210-32	35.1	23.3	14.4	2.8
55	2 2 3/16	8 13/16 224	5 1/8 130	1 11/16 43	7 1/4 184	21/32 16.5	23/32 18	63/64 25	2 11/32 59.9	2 1/4 57.1	0.874 22.2	3 1/2 88.9 3 5/8 92.1	9/16	NUFL211-32E NUFL211E NUFL211-35E	FL211E	NU211-32 NU211 NU211-35	43.4	29.4	14.4	3.7
60	2 1/4 2 7/16	9 27/32 250	5 1/2 140	1 7/8 48	7 61/64 202	21/32 16.5	23/32 18	1 9/64 29	2 25/32 70.3	2 5/8 66.7	1.000 25.4	4 1/16 103.2 4 1/8 104.8	9/16	NUFL212-36E NUFL212E NUFL212-39E	FL212E	NU212-36 NU212 NU212-39	52.4	36.2	14.4	4.9

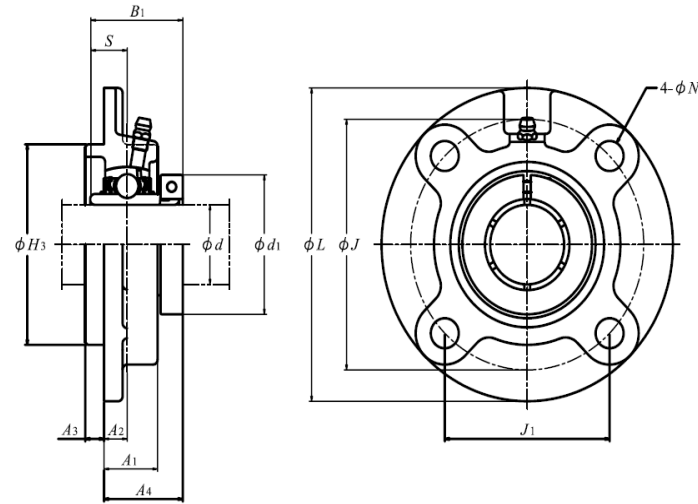
# FYH

Round flange cartridge type units

NUFC

Cylindrical bore(with set screws)

d 3/4~2 7/16 mm



Shaft Dia		Dimensions											Bolt Size	Unit No.	Housing No.	Bearing No.	Basic Load Ratings		Factor	Mass	
mm	inch	L	H3	J	J1	N	A1	A2	A3	A4	B1	S					d1	Cr			Cor
20	3/4	3 15/16 100	2.4409 62	3 5/64 78	2 11/64 55.1	15/32 12	13/16 20.5	25/64 10	13/64 5	1 3/16 29.8	1 9/32 32.5	0.500 12.7	1 3/4 44.5	3/8 M10	NUFC204-12 NUFC204	FC204	NU204-12 NU204	12.8	6.65	13.2	0.87
	7/8 15/16 1	4 17/32 115	2.7559 70	3 35/64 90	2 1/2 63.6	15/32 12	13/16 21	25/64 10	15/64 6	1 9/32 32.2	1 7/16 36.5	0.563 14.3	1 15/16 49.2	3/8 M10	NUFC205-14 NUFC205-15 NUFC205 NUFC205-16	FC205	NU205-14 NU205-15 NU205 NU205-16	14.0	7.85	13.9	1.15
30	1 1/8 1 3/16 1 1/4	4 29/32 125	3.1496 80	3 15/16 100	2 25/32 70.7	15/32 12	29/32 23	25/64 10	5/16 8	1 11/32 33.8	1 9/16 39.7	0.626 15.9	2 3/16 55.6	3/8 M10	NUFC206-18 NUFC206 NUFC206-19 NUFC206-20	FC206	NU206-18 NU206 NU206-19 NU206-20	19.5	11.3	13.9	1.5
	1 1/4 1 3/8 1 7/16	5 5/16 135	3.5433 90	4 21/64 110	3 1/16 77.8	35/64 14	1 1/32 26	7/16 11	5/16 8	1 1/2 38	1 3/4 44.5	0.689 17.5	2 7/16 61.9 2 9/16 65.1	7/16 M12	NUFC207-20 NUFC207-22 NUFC207 NUFC207-23	FC207	NU207-20 NU207-22 NU207 NU207-23	25.7	15.4	13.9	2
40	1 1/2	5 23/32 145	3.9370 100	4 23/32 120	3 11/32 84.8	35/64 14	1 1/32 26	7/16 11	25/64 10	1 11/16 42.8	2 50.8	0.748 19	2 11/16 68.3	7/16 M12	NUFC208-24 NUFC208	FC208	NU208-24 NU208	29.1	17.8	14.0	2.4
	1 5/8 1 11/16 1 3/4	6 5/16 160	4.1339 105	5 13/64 132	3 43/64 93.3	5/8 16	1 1/32 26	25/64 10	15/32 12	1 21/32 41.8	2 50.8	0.748 19	2 13/16 71.4 2 15/16 74.6	1/2 M14	NUFC209-26 NUFC209-27 NUFC209-28 NUFC209	FC209	NU209-26 NU209-27 NU209-28 NU209	34.1	21.3	14.0	3
50	1 15/16 2	6 1/2 165	4.3307 110	5 7/16 138	3 27/32 97.6	5/8 16	1 3/32 28	25/64 10	15/32 12	1 3/4 44.1	2 3/32 53.1	0.748 19	3 3/8 85.7	1/2 M14	NUFC210-31 NUFC210 NUFC210-32	FC210	NU210-31 NU210 NU210-32	35.1	23.3	14.4	3.5
	2 2 3/16	7 9/32 185	4.9213 125	5 29/32 150	4 11/64 106.1	3/4 19	1 7/32 31	33/64 13	15/32 12	1 7/8 47.9	2 1/4 57.1	0.874 22.2	3 1/2 88.9 3 5/8 92.1	5/8 M16	NUFC211-32 NUFC211 NUFC211-35	FC211	NU211-32 NU211 NU211-35	43.4	29.4	14.4	4.6
60	2 1/4 2 7/16	7 11/16 195	5.3150 135	6 19/64 160	4 29/64 113.1	3/4 19	1 13/32 36	43/64 17	15/32 12	2 9/32 58.3	2 5/8 66.7	1.000 25.4	4 1/16 103.2 4 1/8 104.8	5/8 M16	NUFC212-36 NUFC212 NUFC212-39	FC212	NU212-36 NU212 NU212-39	52.4	36.2	14.4	5.7

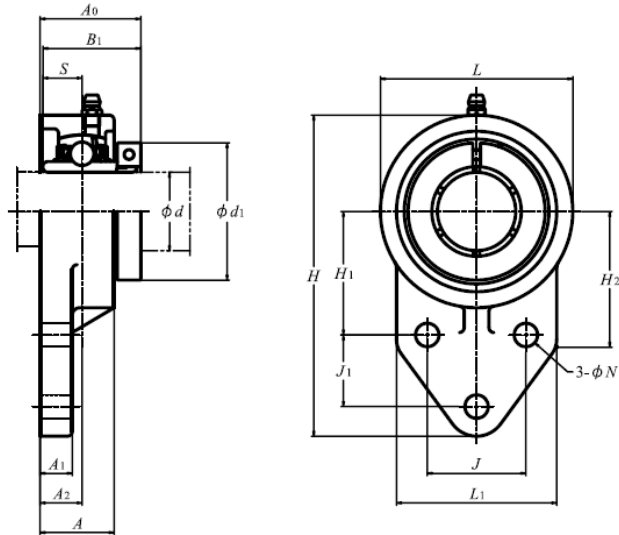




Three-bolt flange type units  
NUFB

Cylindrical bore(uniform-loc)

$d$  3/4~2

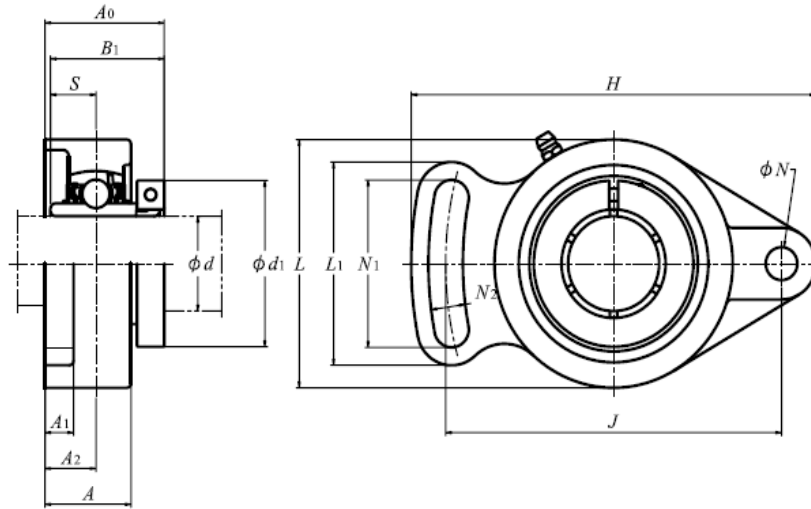


Shaft Dia mm	inch	Dimensions															Bolt Size inch mm	Unit No.	Housing No.	Bearing No.	Basic		Factor	Mass	
		inch																			Load Ratings				
		mm																			$C_c$	$C_o$			$f_0$
$d$	$H$	$L$	$A$	$J$	$J_1$	$N$	$H_1$	$H_2$	$L_1$	$A_1$	$A_2$	$A_0$	$B_1$	$S$	$d_1$										
20	3/4	4 11/32	2 7/16	15/16	1 17/64	1 11/16	3/8	1 21/32	2 1/16	2 1/16	1/2	17/32	1 5/16	1 9/32	0.500	1 3/4	5/16	NUFB204-12	FB204	NU204-12	12.8	6.65	13.2	0.78	
																		NUFB204		NU204					
25	7/8	4 9/16	2 11/16	1 1/32	1 11/32	1 1/16	3/8	1 49/64	2 1/16	2 7/32	1/2	19/32	1 15/32	1 7/16	0.563	1 15/16	5/16	NUFB205-14	FB205	NU205-14	14.0	7.85	13.9	0.88	
	15/16																	NUFB205-15		NU205-15					
	1																			NUFB205					NU205
30	1 1/8	5 1/8	3 1/16	1 5/32	1 37/64	1 9/64	3/8	1 31/32	2 5/32	2 9/16	1/2	43/64	1 19/32	1 9/16	0.626	2 3/16	5/16	NUFB206-18	FB206	NU206-18	19.5	11.3	13.9	1.1	
	1 3/16	130	78	29	40	29	9.5	50	55	65	13	17	40.8	39.7	15.9	55.6	M8	NUFB206		NU206					
	1 1/4																	NUFB206-19		NU206-19					
																				NUFB206-20					NU206-20
35	1 1/4	5 21/32	3 17/32	1 5/16	1 13/16	1 17/64	3/8	2 11/64	2 7/16	2 3/4	19/32	3/4	1 13/16	1 3/4	0.689	2 7/16	5/16	NUFB207-20	FB207	NU207-20	25.7	15.4	13.9	1.6	
		144	90	33	46	32	9.5	55	62	70	15	19	46	44.5	17.5	61.9	M8	NUFB207-22		NU207-22					
	1 3/8																			NUFB207					NU207
	1 7/16																			NUFB207-23					NU207-23
40	1 1/2	6 15/32	3 15/16	1 11/32	1 31/32	1 39/64	7/16	2 23/64	2 27/32	3 1/16	5/8	25/32	2 1/32	2	0.748	2 11/16	3/8	NUFB208-24	FB208	NU208-24	29.1	17.8	14.0	2.2	
		164	100	34	50	41	11	60	72	78	16	20	51.8	50.8	19	68.3	M10	NUFB208		NU208					
45	1 5/8	6 27/32	4 3/16	1 11/32	2 1/8	1 11/16	7/16	2 9/16	3	3 5/32	23/32	25/32	2 1/32	2	0.748	2 13/16	3/8	NUFB209-26	FB209	NU209-26	34.1	21.3	14.0	2.4	
		174	106	34	54	43	11	65	76	80	18	20	51.8	50.8	19	71.4	M10	NUFB209-27		NU209-27					
	1 11/16																			NUFB209-28					NU209-28
	1 3/4																			NUFB209					NU209
50	1 15/16	7 1/4	4 13/32	1 3/8	2 9/32	1 13/16	7/16	2 43/64	3 7/32	3 3/8	23/32	25/32	2 1/8	2 3/32	0.748	3 3/8	3/8	NUFB210-31	FB210	NU210-31	35.1	23.3	14.4	2.9	
	2	184	112	35	58	46	11	68	82	86	18	20	54.1	53.1	19	85.7	M10	NUFB210		NU210					
																			NUFB210-32	NU210-32					



Adjustable oval tow-boit flange type units  
NUFA

Cylindrical bore(uniform-loc)  
d 3/4~2 3/16



Shaft Dia mm inch	Dimensions														Bolt Size inch mm	Unit No.	Housing No.	Bearing No.	Basic Load Ratings		Factor f0	Mass kg	
	inch mm																		C <sub>c</sub>	C <sub>0r</sub>			
	d	H	L	A	J	N	N <sub>1</sub>	N <sub>2</sub>	L <sub>1</sub>	A <sub>1</sub>	A <sub>2</sub>	A <sub>0</sub>	B1	S					d1	C <sub>c</sub>	C <sub>0r</sub>	f0	kg
20	3/4	3 27/32 98	2 5/16 59	15/16 24	3 5/64 78	25/64 10	1 9/16 40	13/32 10	1 31/32 50	7/16 11	35/64 13.8	1 5/16 33.6	1 9/32 32.5	0.500 12.7	1 3/4 44.5	5/16 M8	NUFA204-12 NUFA204	FA204	NU204-12 NU204	12.8	6.65	13.2	0.56
	25	7/8 15/16 1	4 7/8 124	2 3/4 70	1 1/16 27	3 55/64 98	7/16 11	1 15/16 49	7/16 11	2 17/32 64	1/2 13	5/8 16	1 1/2 38.2	1 7/16 36.5	0.563 14.3	1 15/16 49.2	3/8 M10	NUFA205-14 NUFA205-15 NUFA205 NUFA205-16	FA205	NU205-14 NU205-15 NU205 NU205-16	14.0	7.85	13.9
30	1 1/8 1 3/16 1 1/4	5 9/16 141	3 9/32 83	1 3/16 30	4 39/64 117	7/16 11	2 7/32 56	15/32 12	2 11/16 68	1/2 13	45/64 17.8	1 5/8 41.6	1 9/16 39.7	0.626 15.9	2 3/16 55.6	3/8 M10	NUFA206-18 NUFA206 NUFA206-19 NUFA206-20	FA206	NU206-18 NU206 NU206-19 NU206-20	19.5	11.3	13.9	1.2
	35	1 1/4	6 3/32 155	3 25/32 96	1 11/32 34	5 1/8 130	33/64 13	2 15/32 63	1/2 13	2 15/16 75	9/16 14	47/64 18.6	1 25/32 45.6	1 3/4 44.5	0.689 17.5	2 7/16 61.9	7/16 M12	NUFA207-20	FA207	NU207-20	25.7	15.4	13.9
1 3/8														2 9/16 65.1	NUFA207-22 NUFA207 NUFA207-23	NU207-22 NU207 NU207-23							
1 7/16																							
40	1 1/2	6 23/32 171	4 1/8 105	1 1/2 38	5 43/64 144	33/64 13	2 3/4 70	1/2 13	3 5/16 84	9/16 14	13/16 20.8	2 1/16 52.6	2 50.8	0.748 19	2 11/16 68.3	7/16 M12	NUFA208-24 NUFA208	FA208	NU208-24 NU208	29.1	17.8	14	2.3
	45	1 5/8	7 1/16 179	4 3/8 111	1 9/16 40	5 53/64 148	19/32 15	2 27/32 72	19/32 15	3 15/32 88	9/16 14	55/64 21.8	2 1/8 53.6	2 50.8	0.748 19	2 13/16 71.4	1/2 M14	NUFA209-26	FA209	NU209-26	34.1	21.3	14
1 11/16														2 15/16 74.6	NUFA209-27 NUFA209-28 NUFA209	NU209-27 NU209-28 NU209							
1 3/4																							
50	1 15/16 2	7 7/16 189	4 9/16 116	1 9/16 40	6 3/16 157	19/32 15	2 15/16 75	19/32 15	3 5/8 92	9/16 14	57/64 22.5	2 7/32 56.6	2 3/32 53.1	0.748 19	3 3/8 85.7	1/2 M14	NUFA210-31 NUFA210 NUFA210-32	FA210	NU210-31 NU210 NU210-32	35.1	23.3	14.4	2.6
	55	2	8 1/2 216	5 1/4 133	1 23/32 44	7 1/4 184	5/8 16	3 3/8 86	5/8 16	4 1/32 102	25/32 20	1 1/64 25.7	2 3/8 60.6	2 1/4 57.1	0.874 22.2		3 1/2 88.9		1/2 M14				
2 3/16															3 5/8 92.1	NUFA211 NUFA211-35	NU211 NU211-35						

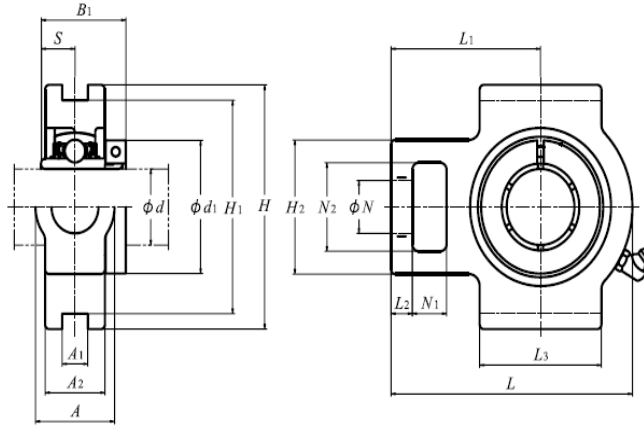


Tack-up type units

NUT

Cylindrical bore(uniform-loc)

$d$  3/4~2 7/16



Shaft Dia mm inch	Dimensions inch mm																		Unit No.	Housing No.	Bearing No.	Basic Load Ratings		Factor f0	Mass kg
	d	A	A <sub>1</sub>	A <sub>2</sub>	H	H <sub>1</sub>	H <sub>2</sub>	L	L <sub>1</sub>	L <sub>2</sub>	L <sub>3</sub>	N	N <sub>1</sub>	N <sub>2</sub>	B1	S	d <sub>f</sub>	C <sub>r</sub>				C <sub>0</sub>			
																							C <sub>r</sub>		
20 3/4	1 1/4 32	15/32 12	13/16 21	3 1/2 89	2 63/64 76	2 51	3 11/16 94	2 13/32 61	13/32 10	2 51	3/4 19	5/8 16	1 1/4 32	1 9/32 32.5	0.500 12.7	1 3/4 44.5	NUT204-12 NUT204	T204	NU204-12 NU204	12.8	6.65	13.2	0.9		
	7/8 15/16	1 1/4 32	15/32 12	15/16 24	3 1/2 89	2 63/64 76	2 51	3 13/16 97	2 7/16 62	13/32 10	2 51	3/4 19	5/8 16	1 1/4 32	1 7/16 36.5	0.563 14.3	1 15/16 49.2	NUT205-14 NUT205-15 NUT205 NUT205-16	T205	NU205-14 NU205-15 NU205 NU205-16	14.0	7.85	13.9	1.0	
25 1	1 1/8 1 3/16 1 1/4	1 15/32 37	15/32 12	1 3/32 28	4 1/32 102	3 1/2 89	2 7/32 56	4 7/16 113	2 3/4 70	13/32 10	2 1/4 57	7/8 22	5/8 16	1 15/32 37	1 9/16 39.7	0.626 15.9	2 3/16 55.6	NUT206-18 NUT206 NUT206-19 NUT206-20	T206	NU206-18 NU206 NU206-19 NU206-20	19.5	11.3	13.9	1.5	
	1 1/4 1 3/8 1 7/16	1 15/32 37	15/32 12	1 3/16 30	4 1/32 102	3 1/2 89	2 17/32 64	5 3/32 129	3 1/16 78	1/2 13	2 17/32 64	7/8 22	5/8 16	1 15/32 37	1 3/4 44.5	0.689 17.5	2 7/16 61.9	NUT207-20 NUT207-22 NUT207 NUT207-23	T207	NU207-20 NU207-22 NU207 NU207-23	25.7	15.4	13.9	1.9	
30 1 1/2	1 15/16 49	5/8 16	1 5/16 33	4 1/2 114	4 1/64 102	3 9/32 83	5 21/32 144	3 15/32 88	19/32 16	3 9/32 83	1 5/32 29	3/4 19	1 15/16 49	2 50.8	0.748 19	2 11/16 68.3	NUT208-24 NUT208	T208	NU208-24 NU208	29.1	17.8	14.0	2.9		
	1 5/8 1 11/16 1 3/4	1 15/16 49	5/8 16	1 3/8 35	4 19/32 117	4 1/64 102	3 9/32 83	5 21/32 144	3 7/16 87	5/8 16	3 9/32 83	1 5/32 29	3/4 19	1 15/16 49	2 50.8	0.748 19	2 13/16 71.4	NUT209-26 NUT209-27 NUT209-28 NUT209	T209	NU209-26 NU209-27 NU209-28 NU209	34.1	21.3	14.0	2.8	
40 1 1/2	1 15/16 49	5/8 16	1 15/32 37	4 19/32 117	4 1/64 102	3 9/32 83	5 7/8 149	3 17/32 90	5/8 16	3 3/8 86	1 5/32 29	3/4 19	1 15/16 49	2 3/32 53.1	0.748 19	3 3/8 85.7	NUT210-31 NUT210 NUT210-32	T210	NU210-31 NU210 NU210-32	35.1	23.3	14.4	3.2		
	2 2 3/16	2 17/32 64	55/64 22	1 1/2 38	5 3/4 146	5 1/8 130	4 1/64 102	6 23/32 171	4 3/16 106	3/4 19	3 3/4 95	1 3/8 35	31/32 25	2 17/32 64	2 1/4 57.1	0.874 22.2	3 1/2 88.9	NUT211-32 NUT211 NUT211-35	T211	NU211-32 NU211 NU211-35	43.4	29.4	14.4	4.4	
50 2	2 1/4 2 7/16	2 17/32 64	55/64 22	1 21/32 42	5 3/4 146	5 1/8 130	4 1/64 102	7 5/8 194	4 11/16 119	3/4 19	4 1/32 102	1 3/8 35	1 1/4 32	2 17/32 64	2 5/8 66.7	1.000 25.4	4 1/16 103.2	NUT212-36 NUT212 NUT212-39	T212	NU212-36 NU212 NU212-39	52.4	36.2	14.4	5.6	

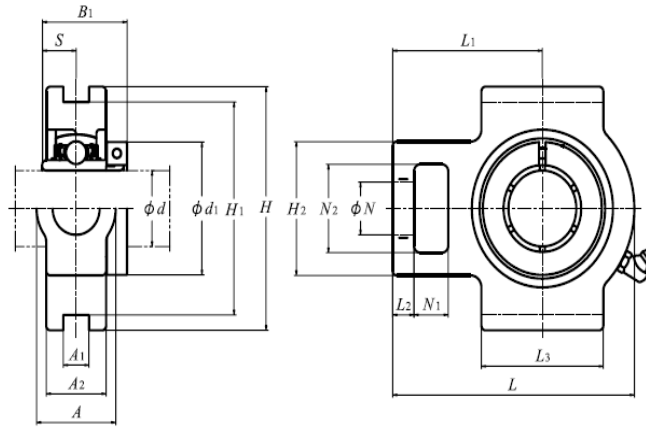


Tack-up type units

NUT-E

Cylindrical bore (uniform-loc)

d 3/4~2 7/16



Shaft Dia mm inch	Dimensions inch mm																	Unit No.	Housing No.	Bearing No.	Basic Load Ratings		Factor f0	Mass kg
	d	A	A <sub>1</sub>	A <sub>2</sub>	H	H <sub>1</sub>	H <sub>2</sub>	L	L <sub>1</sub>	L <sub>2</sub>	L <sub>3</sub>	N	N <sub>1</sub>	N <sub>2</sub>	B <sub>1</sub>	S	d <sub>1</sub>				C <sub>r</sub>	C <sub>0p</sub>		
20 3/4	1 1/4	17/32	13/16	3 1/2	3	2	3 11/16	2 13/32	13/32	2	3/4	5/8	1 1/4	1 9/32	0.500	1 3/4	NUT204-12E NUT204E	T204E	NU204-12 NU204	12.8	6.65	13.2	0.9	
	7/8	17/32	15/16	3 1/2	3	2	3 13/16	2 7/16	13/32	2	3/4	5/8	1 1/4	1 7/16	0.563	1 15/16	NUT205-14E NUT205-15E NUT205E NUT205-16E	T205E	NU205-14 NU205-15 NU205 NU205-16	14.0	7.85	13.9	1.0	
25 1	1 1/8	17/32	1 3/32	4 1/32	3 1/2	2 7/32	4 7/16	2 3/4	13/32	2 1/4	7/8	5/8	1 15/32	1 9/16	0.626	2 3/16	NUT206-18E NUT206E NUT206-19E NUT206-20E	T206E	NU206-18 NU206 NU206-19 NU206-20	19.5	11.3	13.9	1.5	
	1 3/16	17/32	1 3/16	4 1/32	3 1/2	2 17/32	5 3/32	3 1/16	1/2	2 17/32	7/8	5/8	1 15/32	1 3/4	0.689	2 7/16	NUT207-20E NUT207-22E NUT207E NUT207-23E	T207E	NU207-20 NU207-22 NU207 NU207-23	25.7	15.4	13.9	1.9	
30 1 1/4	1 1/4	17/32	1 3/16	4 1/32	3 1/2	2 17/32	5 3/32	3 1/16	1/2	2 17/32	7/8	5/8	1 15/32	1 3/4	0.689	2 7/16	NUT207-20E NUT207-22E NUT207E NUT207-23E	T207E	NU207-20 NU207-22 NU207 NU207-23	25.7	15.4	13.9	1.9	
	1 3/8	17/32	1 3/16	4 1/32	3 1/2	2 17/32	5 3/32	3 1/16	1/2	2 17/32	7/8	5/8	1 15/32	1 3/4	0.689	2 7/16	NUT207-20E NUT207-22E NUT207E NUT207-23E	T207E	NU207-20 NU207-22 NU207 NU207-23	25.7	15.4	13.9	1.9	
35 1 1/4	1 1/4	17/32	1 3/16	4 1/32	3 1/2	2 17/32	5 3/32	3 1/16	1/2	2 17/32	7/8	5/8	1 15/32	1 3/4	0.689	2 7/16	NUT207-20E NUT207-22E NUT207E NUT207-23E	T207E	NU207-20 NU207-22 NU207 NU207-23	25.7	15.4	13.9	1.9	
	1 3/8	17/32	1 3/16	4 1/32	3 1/2	2 17/32	5 3/32	3 1/16	1/2	2 17/32	7/8	5/8	1 15/32	1 3/4	0.689	2 7/16	NUT207-20E NUT207-22E NUT207E NUT207-23E	T207E	NU207-20 NU207-22 NU207 NU207-23	25.7	15.4	13.9	1.9	
40 1 1/2	1 1/2	17/32	1 5/16	4 1/2	4	3 9/32	5 21/32	3 15/32	19/32	3 9/32	1 5/32	3/4	1 15/16	2	0.748	2 11/16	NUT208-24E NUT208E	T208E	NU208-24 NU208	29.1	17.8	14.0	2.9	
	1 5/8	17/32	1 5/16	4 1/2	4	3 9/32	5 21/32	3 7/16	5/8	3 9/32	1 5/32	3/4	1 15/16	2	0.748	2 13/16	NUT209-26E NUT209-27E NUT209-28E NUT209E	T209E	NU209-26 NU209-27 NU209-28 NU209	34.1	21.3	14.0	2.8	
45 1 3/4	1 5/8	17/32	1 5/16	4 1/2	4	3 9/32	5 21/32	3 7/16	5/8	3 9/32	1 5/32	3/4	1 15/16	2	0.748	2 13/16	NUT209-26E NUT209-27E NUT209-28E NUT209E	T209E	NU209-26 NU209-27 NU209-28 NU209	34.1	21.3	14.0	2.8	
	1 11/16	17/32	1 5/16	4 1/2	4	3 9/32	5 21/32	3 7/16	5/8	3 9/32	1 5/32	3/4	1 15/16	2	0.748	2 15/16	NUT209-27E NUT209-28E NUT209E	T209E	NU209-27 NU209-28 NU209	34.1	21.3	14.0	2.8	
50 2	1 15/16	17/32	1 15/16	4 19/32	4	3 9/32	5 7/8	3 17/32	5/8	3 3/8	1 5/32	3/4	1 15/16	2 3/32	0.748	3 3/8	NUT210-31E NUT210E NUT210-32E	T210E	NU210-31 NU210 NU210-32	35.1	23.3	14.4	3.2	
	1 15/16	17/32	1 15/16	4 19/32	4	3 9/32	5 7/8	3 17/32	5/8	3 3/8	1 5/32	3/4	1 15/16	2 3/32	0.748	3 3/8	NUT210-31E NUT210E NUT210-32E	T210E	NU210-31 NU210 NU210-32	35.1	23.3	14.4	3.2	
55 2 3/16	2	1 1/16	1 1/2	5 3/4	5 1/8	4 1/64	6 23/32	4 3/16	3/4	3 3/4	1 3/8	31/32	2 17/32	2 1/4	0.874	3 1/2	NUT211-32E NUT211E NUT211-35E	T211E	NU211-32 NU211 NU211-35	43.4	29.4	14.4	4.4	
	2 3/16	1 1/16	1 1/2	5 3/4	5 1/8	4 1/64	6 23/32	4 3/16	3/4	3 3/4	1 3/8	31/32	2 17/32	2 1/4	0.874	3 1/2	NUT211-32E NUT211E NUT211-35E	T211E	NU211-32 NU211 NU211-35	43.4	29.4	14.4	4.4	
60 2 7/16	2 1/4	1 1/16	1 21/32	5 3/4	5 1/8	4 1/64	7 5/8	4 11/16	3/4	4 1/32	1 3/8	1 1/4	2 17/32	2 5/8	1.000	4 1/16	NUT212-36E NUT212E NUT212-39E	T212E	NU212-36 NU212 NU212-39	52.4	36.2	14.4	5.6	
	2 7/16	1 1/16	1 21/32	5 3/4	5 1/8	4 1/64	7 5/8	4 11/16	3/4	4 1/32	1 3/8	1 1/4	2 17/32	2 5/8	1.000	4 1/16	NUT212-36E NUT212E NUT212-39E	T212E	NU212-36 NU212 NU212-39	52.4	36.2	14.4	5.6	



**NU Concentric Cap Screw Tightening Trque**

Shaft Dia mm    inch	Bearing No.	Collar No.	Cap screw  inch mm	Recommended Torque				
				(Foot-Lbs.)	(Inch-Lbs.)	(N-m)		
20	3/4	NU204-12	UCL204B	No.8-32UNC	5.5 - 6.0	66 - 73	7.4 - 8.2	
		NU204	UCL204B	M4X0.7				
25	7/8	NU205-14	UCL205A	No.8-32UNC	5.5 - 6.0	66 - 73	7.4 - 8.2	
		15/16	NU205-15	UCL205A				No.8-32UNC
		NU205	UCL205A	M4X0.7				
30	1	NU205-16	UCL205A	No.8-32UNC	5.5 - 6.0	66 - 73	7.4 - 8.2	
		1 1/8	NU206-18	UCL206A				No.8-32UNC
		NU206	UCL206A	M4X0.7				
		1 3/16	NU206-19	UCL206A				No.8-32UNC
35	1	1 1/4	NU206-20	UCL206A	No.8-32UNC	7.5 - 8.3	90 - 99	10.2 - 11.2
		1 1/4	NU207-20	UCL207A	No.10-24UNC			
		1 3/8	NU207-22	UCL207B	No.10-24UNC			
		NU207	UCL207B	M5X0.8				
40	1	7/16	NU207-23	UCL207B	No.10-24UNC	7.5 - 8.3	90 - 99	10.2 - 11.2
		1 1/2	NU208-24	UCL208A	No.10-24UNC			
45	1	NU208	UCL208A	M5X0.8	7.5 - 8.3	90 - 99	10.2 - 11.2	
		5/8	NU209-26	UCL209A				No.10-24UNC
		11/16	NU209-27	UCL209B				No.10-24UNC
		3/4	NU209-28	UCL209B				No.10-24UNC
50	2	NU209	UCL209B	M5X0.8	13.0 - 14.3	155 - 172	17.6 - 19.4	
		15/16	NU210-31	UCL210A				1/4-20UNC
		NU210	UCL210A	M6X1				
55	2	NU210-32	UCL210A	1/4-20UNC	13.0 - 14.3	155 - 172	17.6 - 19.4	
		2	NU211-32	UCL211A				1/4-20UNC
		NU211	UCL211B	M6X1				
60	2	3/16	NU211-35	UCL211B	1/4-20UNC	30.7 - 33.9	368 - 407	41.6 - 46.0
		1/4	NU212-36	UCL212A	5/16-18UNC			
		NU212	UCL212B	M8X1.25				
60	2	7/16	NU212-39	UCL213B	5/16-18UNC	30.7 - 33.9	368 - 407	41.6 - 46.0
		7/16	NU212-39	UCL213B	5/16-18UNC			