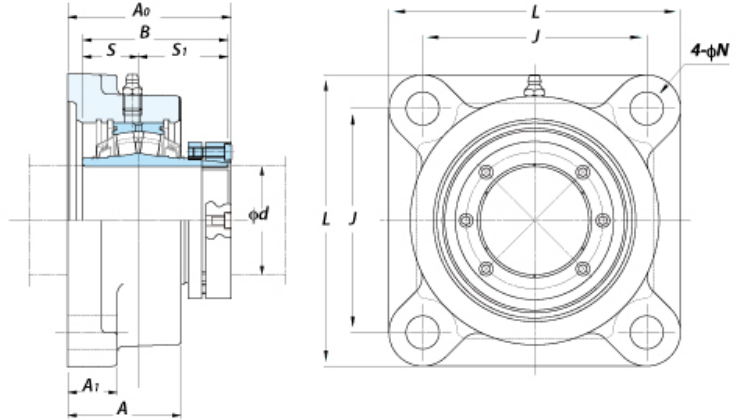




ZS4F410-31



样式	
轴承座型号	4F410
轴承公称型号	ZS410-31
轴径	1-15/16 in
轴承座固定螺栓	M12 1/2 in
轴固定方法	Z LOCK
适用油嘴	A-NPT1/8
主要尺寸	
<i>L</i>	135 mm 5-5/16 in
<i>A</i>	55 mm 2-5/32 in
<i>J</i>	103.2 mm 4-1/16 in
<i>N</i>	14 mm 35/64 in
<i>A1</i>	19 mm 3/4 in
<i>A0</i>	80.2 mm 3-5/32 in
<i>B</i>	72.2 mm 2.843 in
<i>S</i>	25.4 mm 1.000 in
<i>S1</i>	46.8 mm 1.843 in
基本额定负荷	
<i>C_r</i>	96.4 kN 21683 lbf
<i>C_{0r}</i>	116.9 kN 26306 lbf