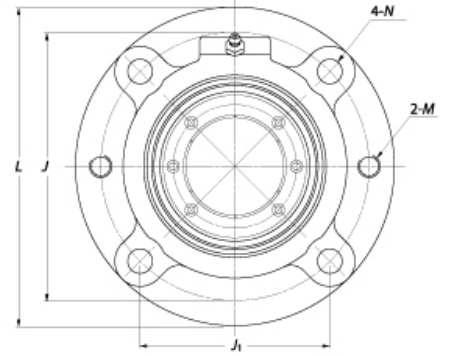
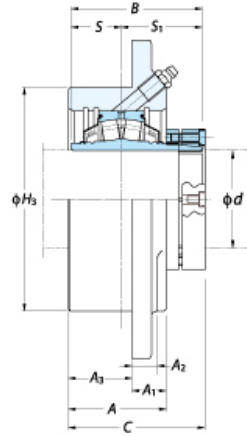




ZS4FC409-28



式	
承座型号	4FC409
承公称型号	ZS409-28
径	1-3/4 in
承座固定螺栓	M12 1/2 in
固定方法	Z LOCK
适用油嘴	A-1/4-28UNF
主要尺寸	
L	156 mm 6-5/32 in
H3	107.8 mm 4.250 in
J	130.2 mm 5-1/8 in
J1	92.1 mm 3-5/8 in
N	14 mm 9/16 in
A	48.4 mm 1-29/32 in
A1	16 mm 5/8 in
A2	12.7 mm 1/2 in
A3	32.2 mm 1-17/64 in
C	69.1 mm 2-23/32 in
M	7/16-14UNC
B	67.5 mm 2.657 in
S	25.4 mm 1.000 in
S1	42.1 mm 1.657 in
基本定荷	
Cr	92.6 kN 20834 lbf
C0r	108.8 kN 24491 lbf

